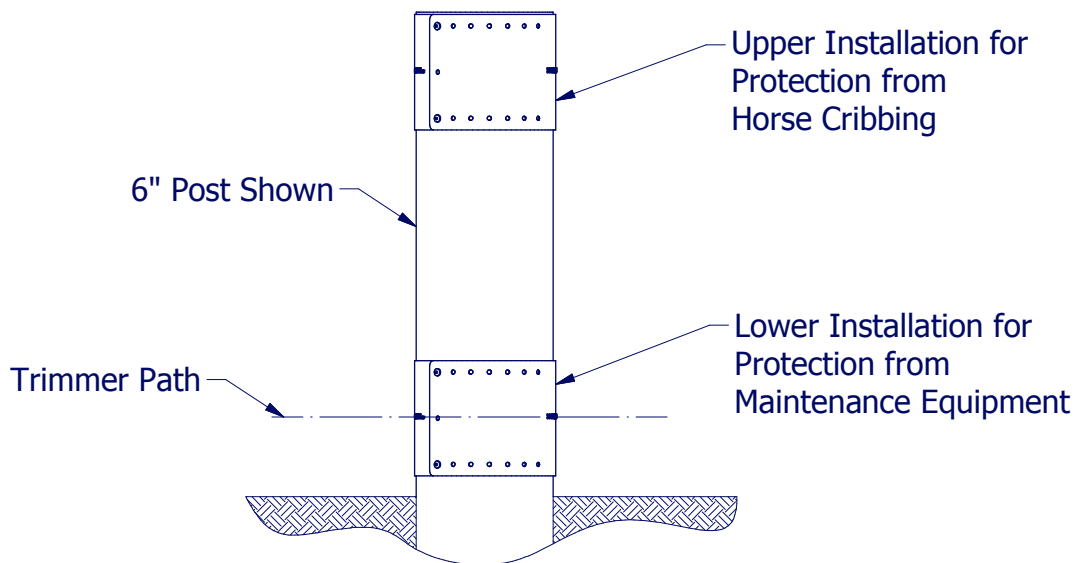
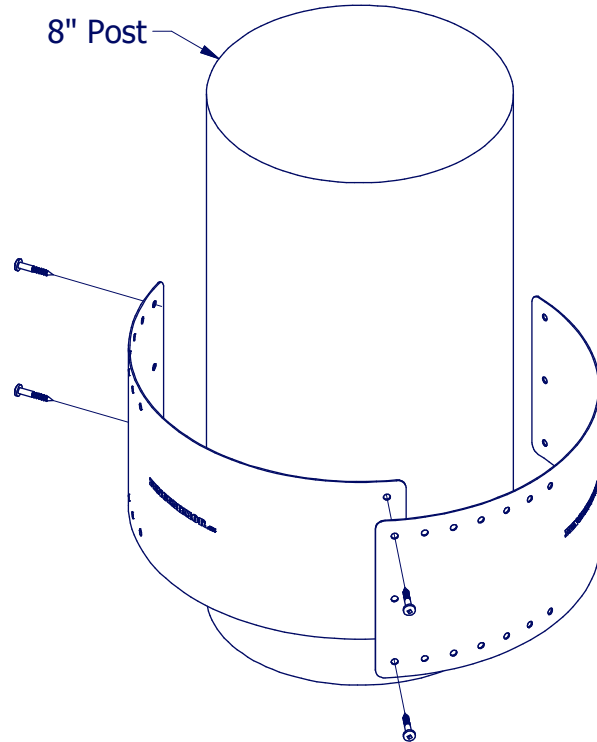
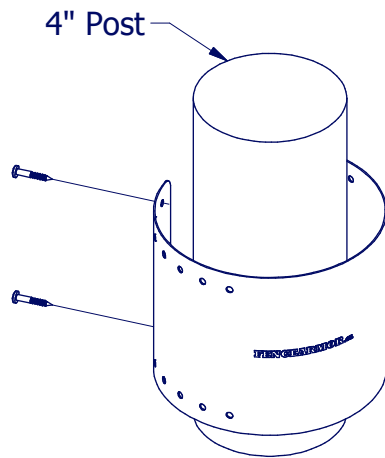


**FENCE ARMOR™**

484 Plains Rd. East Unit 10, Burlington, ON, L7T 2E1, Canada  
 8083 Hwy 70 East, St. Germain WI 54558, USA  
 Toll Free: (888) 289-5617  
 Direct AI: (905) 399-0877  
 Direct Jeff: (715) 370-3550



**Notes:**

1. 22 Gauge G90 Galvanized Steel
2. #8 x 1 1/2" Self-Tapping Pan Head S.S. Screws Recommended
3. Stackable for Below Grade Protection or Elevation Deviation
4. Adjustable to any Diameter Post from 4" and up.

**FENCE ARMOR™**

Title: Fence Armor for Round Wood Posts

Dwg No: RW20081

Date: Feb. 2016