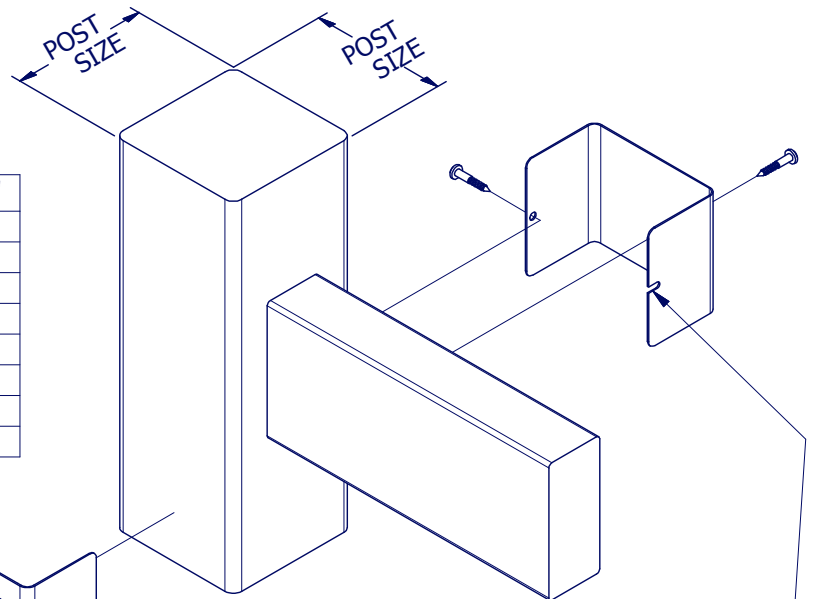


FENCE ARMOR™

484 Plains Rd. East Unit 10, Burlington, ON, L7T 2E1, Canada
 8083 Hwy 70 East, St. Germain WI 54558, USA
 Toll Free: (888) 289-5617
 Direct AI: (905) 399-0877
 Direct Jeff: (715) 370-3550

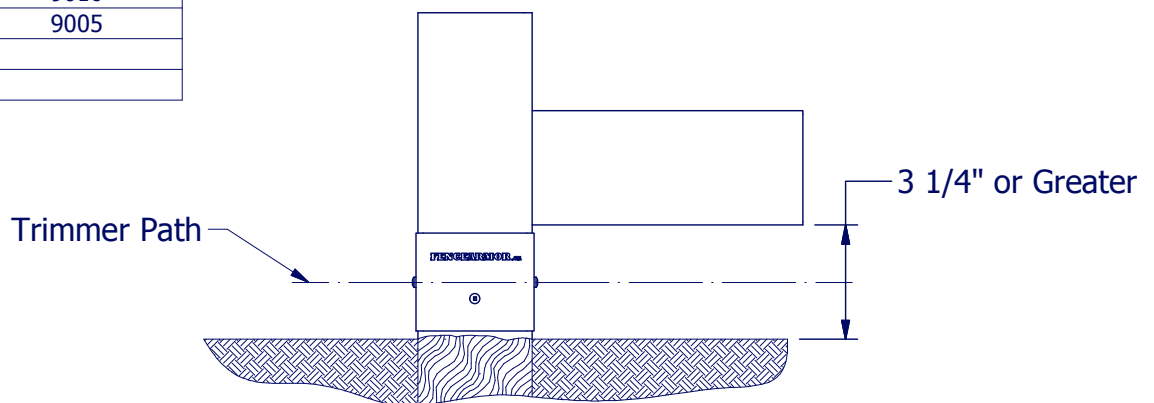
Product	Post Size	Dim "A"	Dim "B"
FA4x4WGS	3 1/2 x 3 1/2	3 5/8	2
FA4x4VGS	4 x 4	4 1/8	2 1/8
FA5x5WGS	4 1/2 x 4 1/2	4 5/8	2 3/8
FA5x5VGS	5 x 5	5 1/8	2 5/8
FA6x6WGS	5 1/2 x 5 1/2	5 5/8	2 7/8
FA6x6VGS	6 x 6	6 1/8	3 1/8
FA8x8WGS	7 1/2 x 7 1/2	7 5/8	3 7/8
Custom*			



Slot Allows for Expansion/Contraction

Side Screws are Optional

Color	RAL No.
Galvanized Steel	
White	9016
Black	9005
Redwood	
Custom*	



Notes:

- 22 Gauge G90 Galvanized Steel
- Durable Powder Coated Finish
- #8 x 1 1/2" Self-Tapping Pan Head S.S. Screws Recommended
- Stackable for Below Grade Protection or Elevation Deviation
- Align Middle of Fence Armor with Trimmer Path
- *Custom Colors and Sizes Available Based on Quantity

FENCE ARMOR™

Title: Fence Armor Full
for Wood Fences

Dwg No: WF20081

Date: Feb. 2016