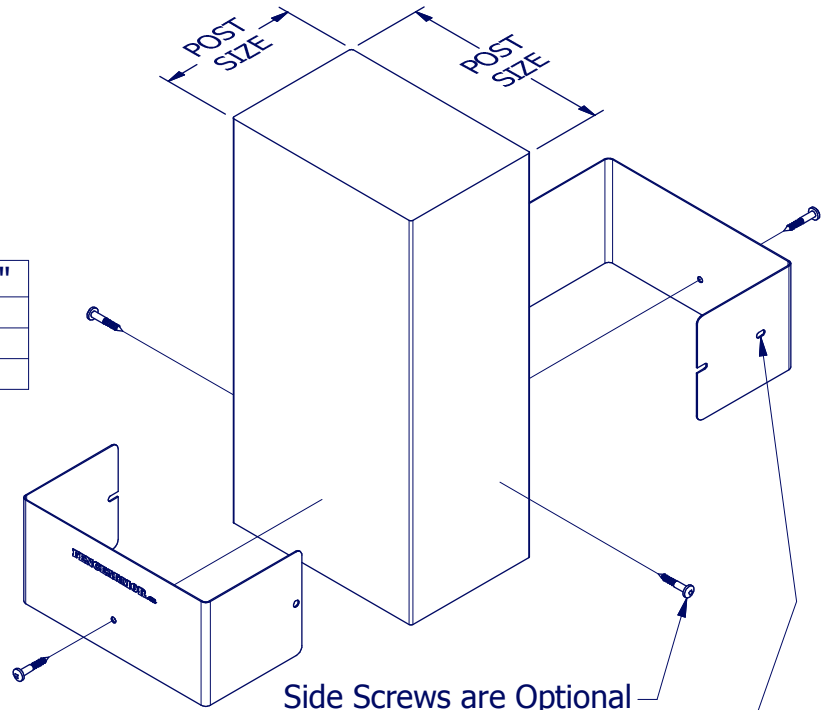


FENCE ARMOR™

484 Plains Rd. East Unit 10, Burlington, ON, L7T 2E1, Canada
 8083 Hwy 70 East, St. Germain WI 54558, USA
 Toll Free: (888) 289-5617
 Direct Al: (905) 399-0877
 Direct Jeff: (715) 370-3550

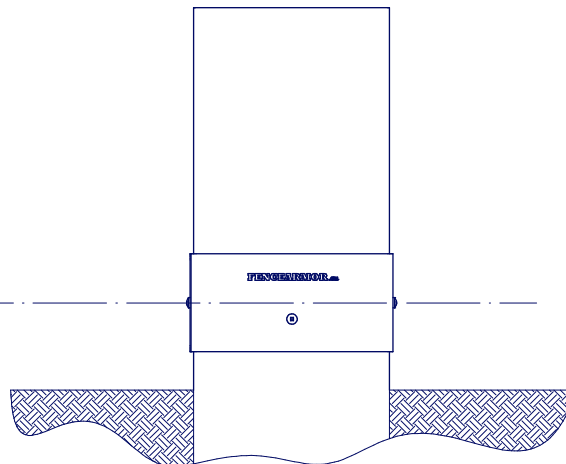
Product	Post Size	Dim "A"	Dim "B"
FA6x6WGS	5 1/2 x 3 1/2	5 5/8	2 7/8
FA6x6VGS	6 x 4	6 1/8	3 1/8
Custom*			



Slot Allows for Expansion/Contraction

Color	RAL No.
Galvanized Steel	
White	9016
Black	9005
Redwood	
Custom*	

Trimmer Path



Notes:

1. 22 Gauge G90 Galvanized Steel
2. Durable Powder Coated Finish
3. #8 x 1 1/2" Self-Tapping Pan Head S.S. Screws Recommended
4. Stackable for Below Grade Protection or Elevation Deviation
5. Align Middle of Fence Armor with Trimmer Path
6. *Custom Colors and Sizes Available Based on Quantity

FENCE ARMOR™

Title: Fence Armor
 for 6" x 4" Posts

Dwg No: RP20081

Date: Feb. 2016