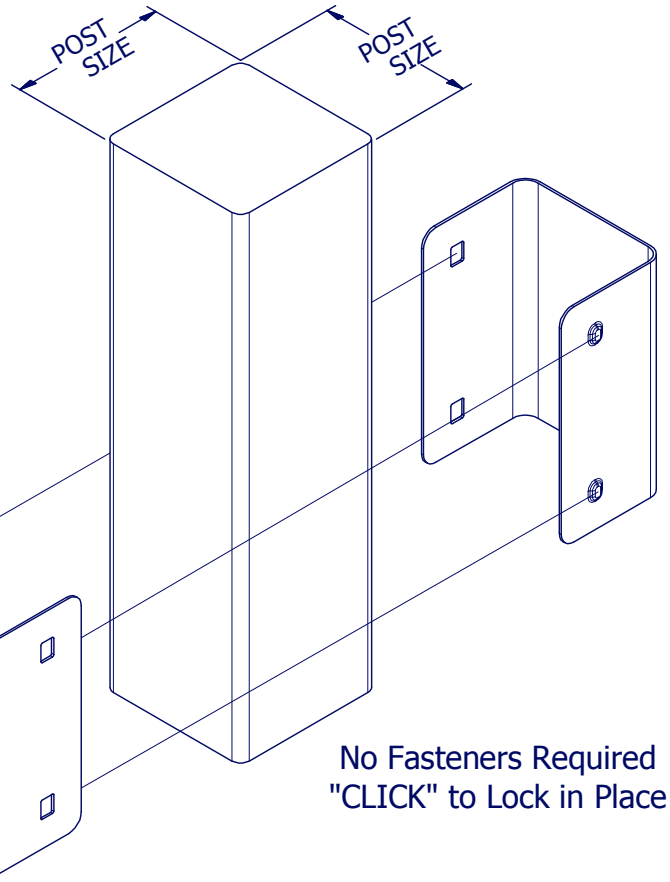


FENCE ARMOR™

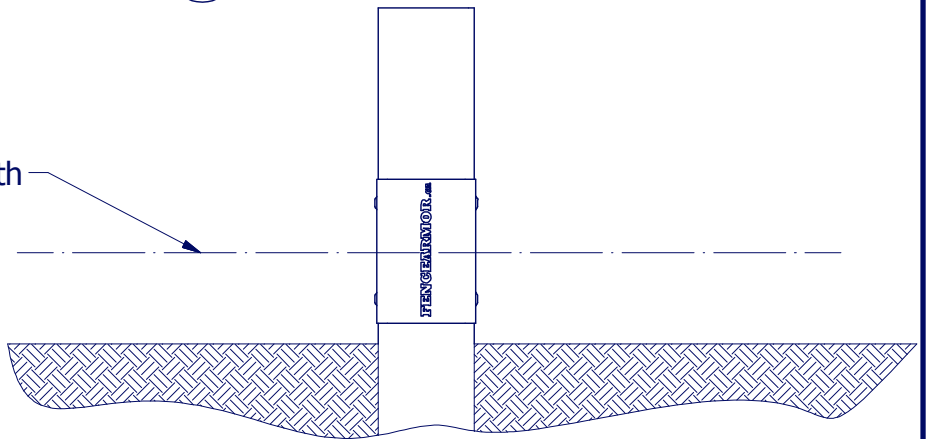
484 Plains Rd. East Unit 10, Burlington, ON, L7T 2E1, Canada
 8083 Hwy 70 East, St. Germain WI 54558, USA
 Toll Free: (888) 289-5617
 Direct AI: (905) 399-0877
 Direct Jeff: (715) 370-3550

Product	Post Size	Dim "A"	Dim "B"
FA1.5x1.5OB	1 1/2 x 1 1/2	1 5/8	1 1/2
FA2x2OB	2 x 2	1 1/8	1 3/4
FA2.5x2.5OB	2 1/2 x 2 1/2	2 5/8	2 3/8
FA3x3OB	3 x 3	3 1/8	1 5/8
Custom*			



Color	RAL No.
White	9016
Black	9005
Custom*	

Trimmer Path



Notes:

1. 22 Gauge G90 Galvanized Steel
2. Durable Powder Coated Finish
3. Stackable for Below Grade Protection or Elevation Deviation
4. Align Middle of Fence Armor with Trimmer Path
4. *Custom Colors and Sizes Available Based on Quantity

FENCE ARMOR™

Title: Fence Armor
for Metal Fences

Dwg No: OM20081

Date: Feb. 2016